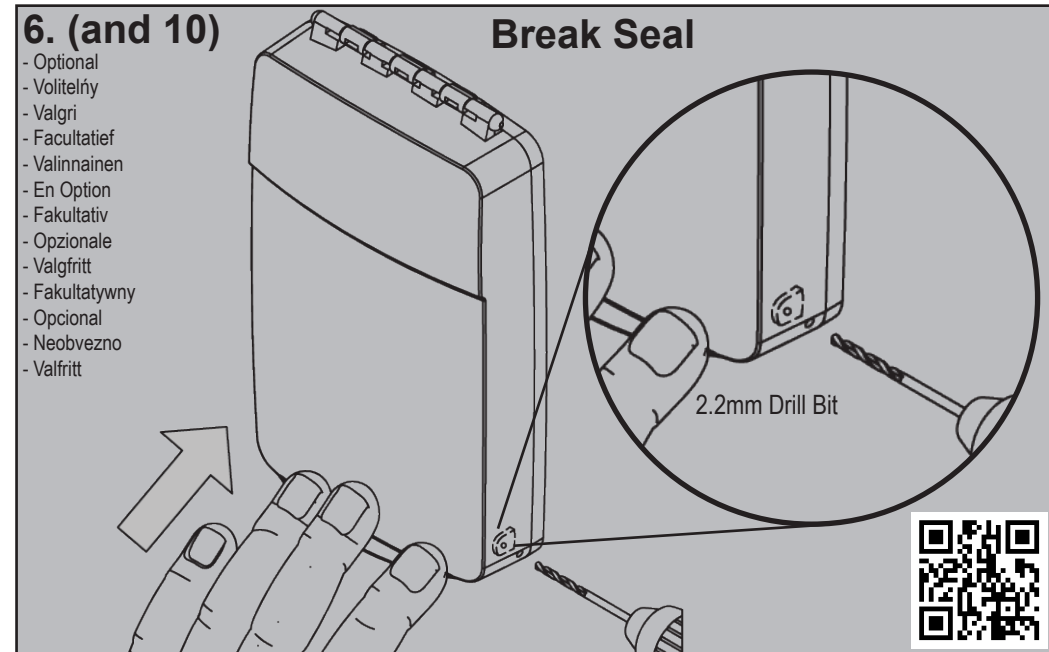
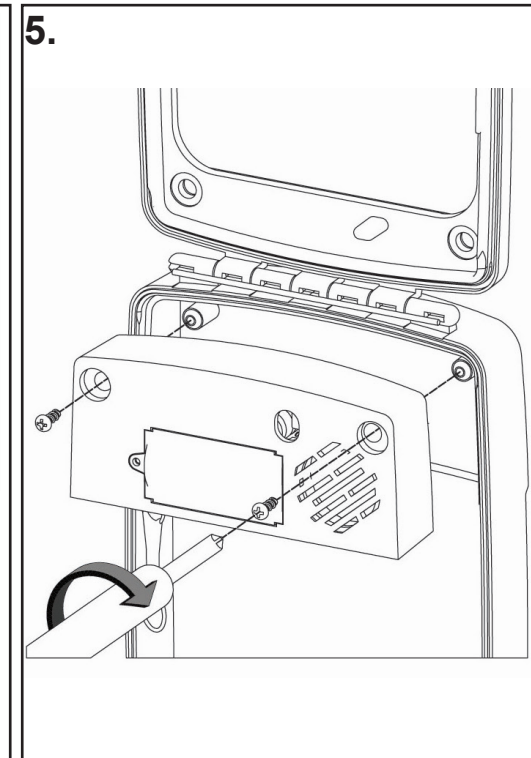
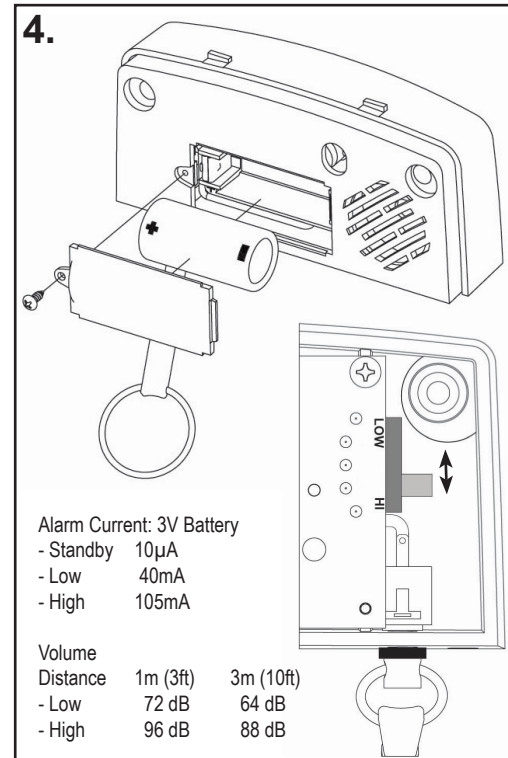
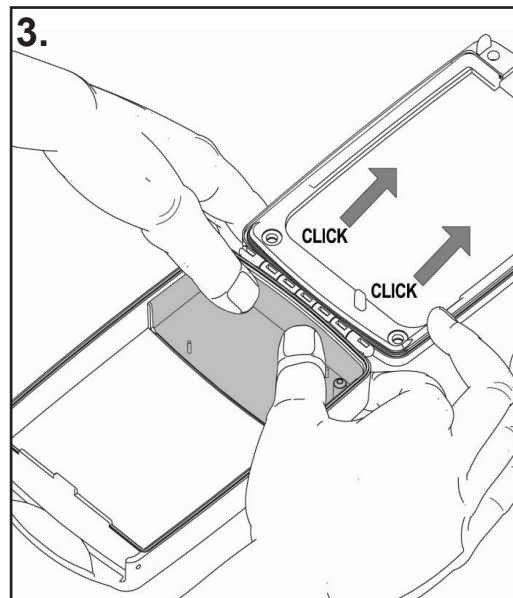
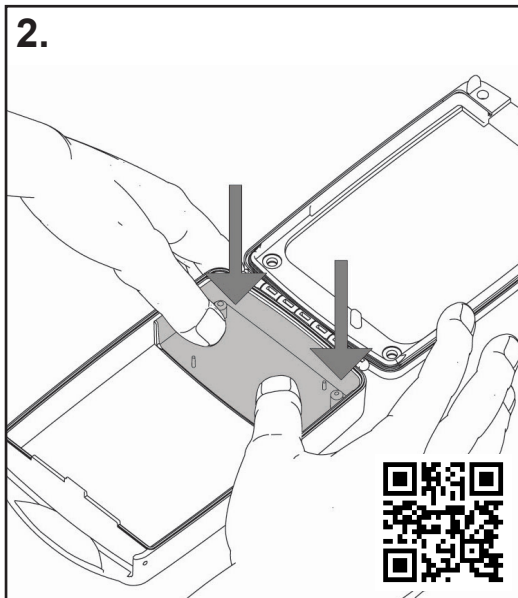
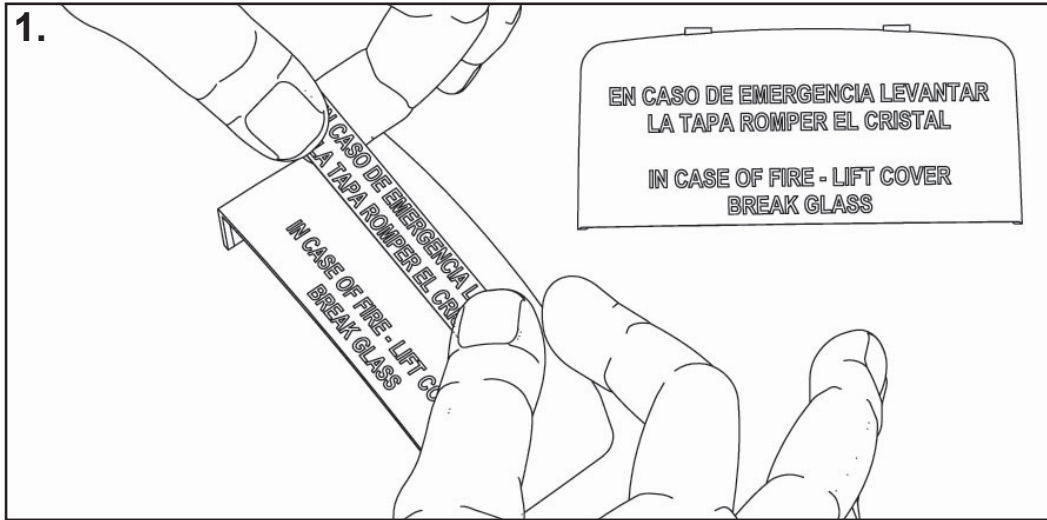


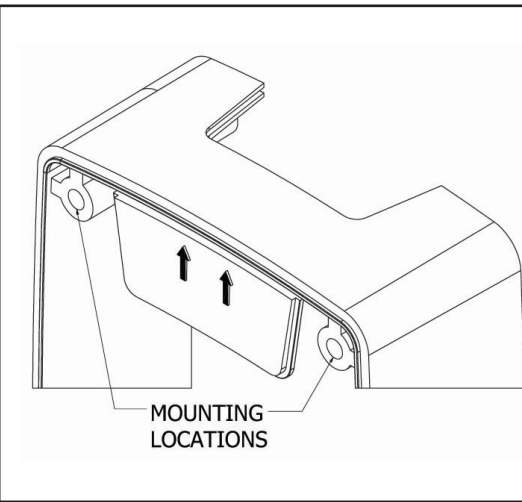
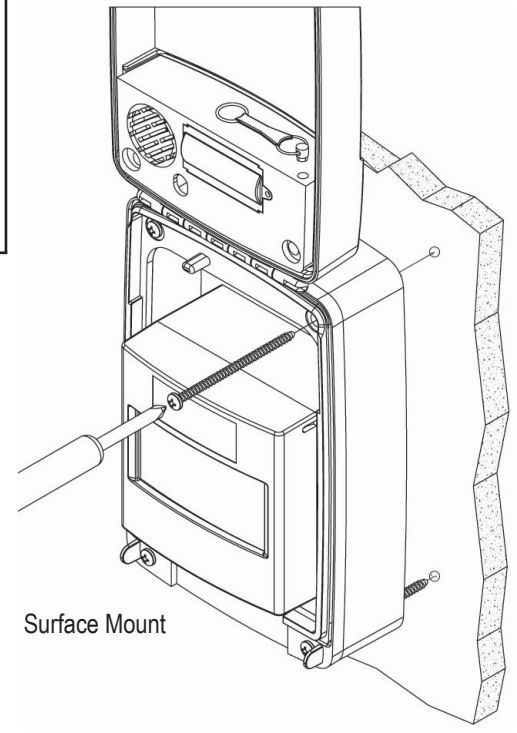
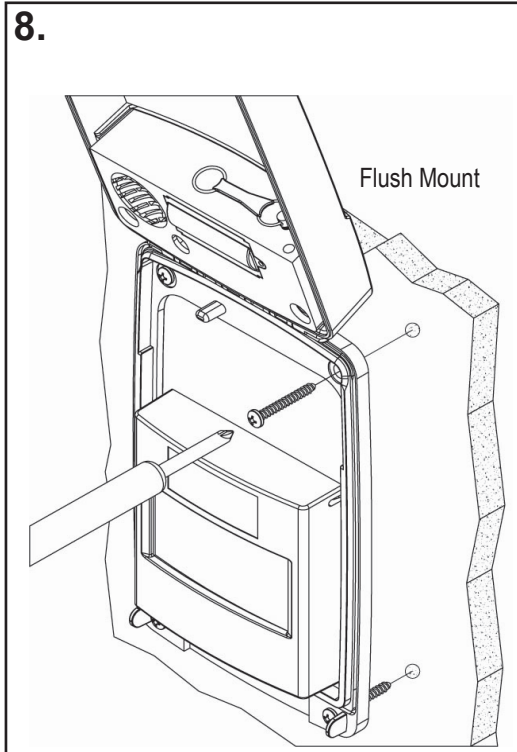
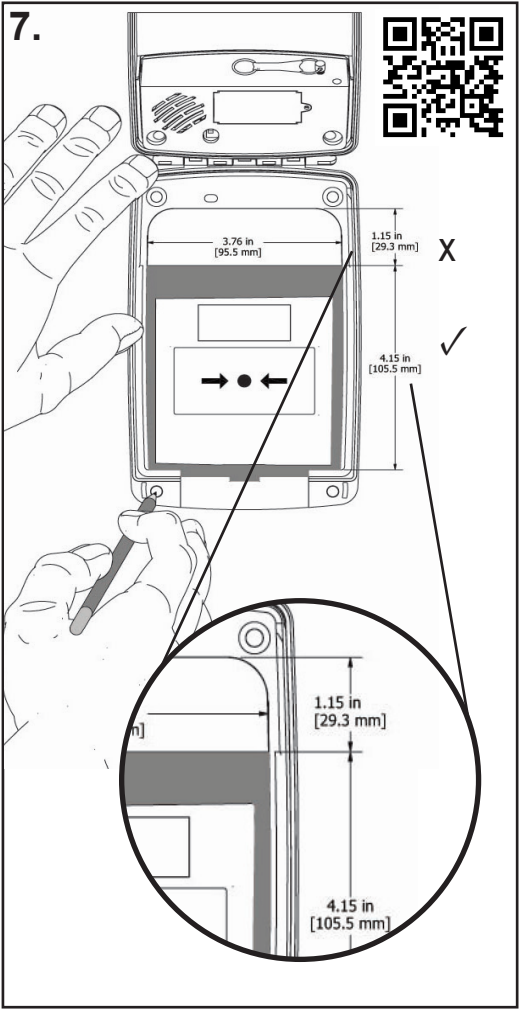
# STI Euro Stopper

## Installation Data for the STI-15000 Series

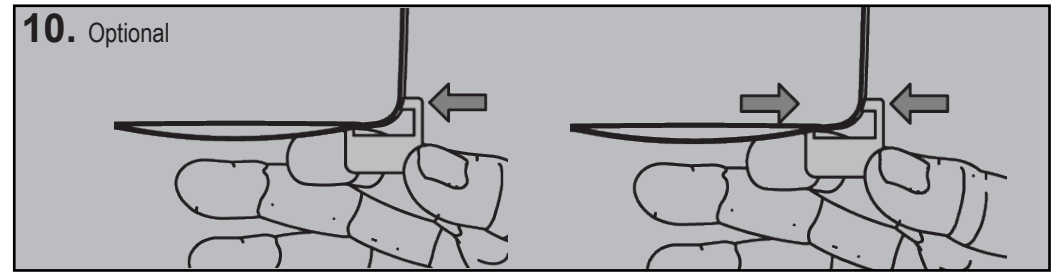
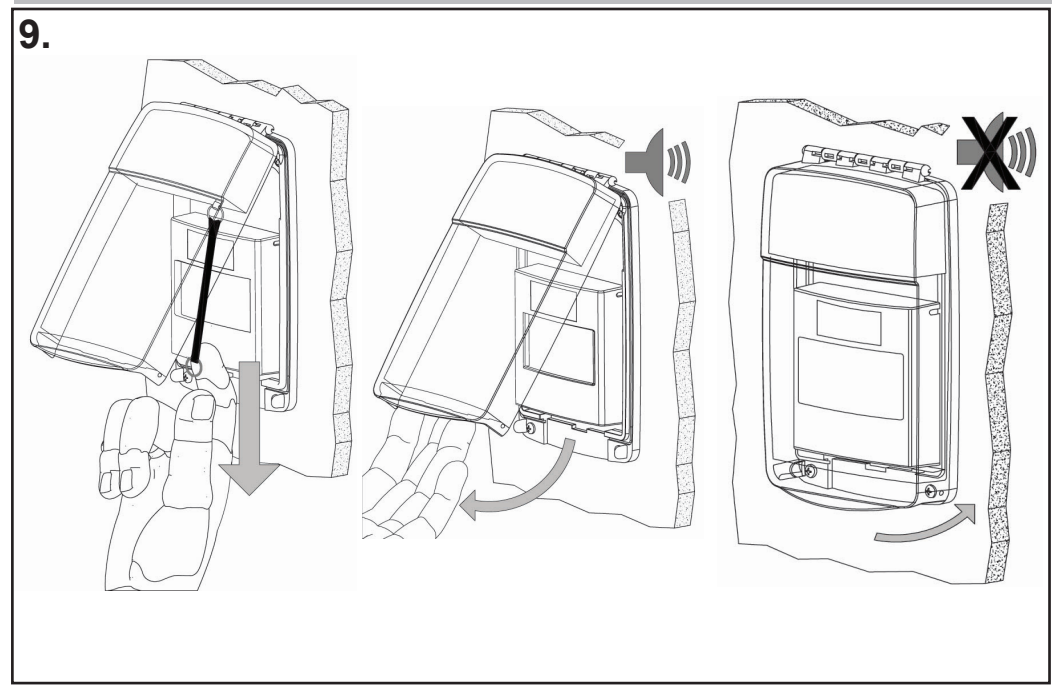
The Euro Stopper is a sleek protective cover that offers protection against tampering, vandalism and damage from accidental activation



Need help? Call our Technical Support Team on +44 (0)1527 520 999



Need help? Call our Technical Support Team on +44 (0)1527 520 999



Euro Stopper Multi Kit  
**FLUSH MOUNT**  
Installation Video



Euro Stopper Multi Kit  
**SURFACE MOUNT**  
Installation Video



**STI (Europe) Ltd** - Unit 49G Pipers Road  
Park Farm Industrial Estate, Redditch,  
Worcestershire, B98 0HU, UK  
Tel: 01527 520 999 Fax: 01527 501 999  
info@sti-europe.com www.sti-europe.com

**STI, INC** - STI Corporate Headquarters  
2306 Airport Road, Waterford,  
MI 48327, USA  
Tel: 248-673-9898 Fax: 248-673-1246  
info@sti-usa.com www.sti-usa.com